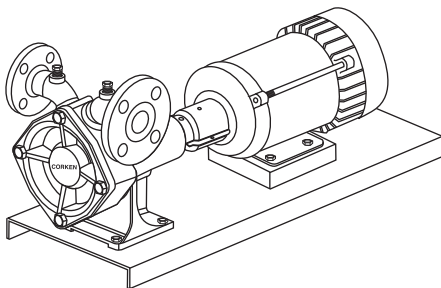


**Having Trouble Filling The New Autogas Motor Fuel Tanks?
Problem Solved With A Corken Autogas Pump!**

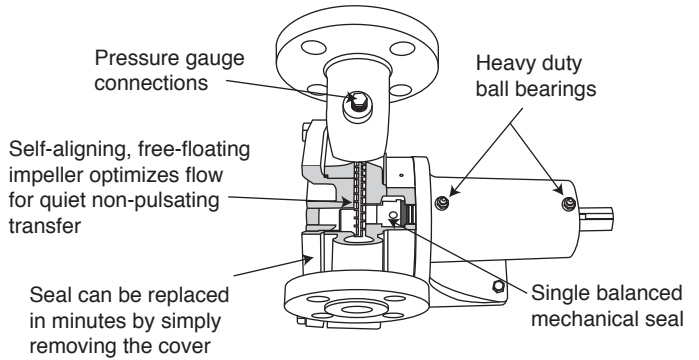
Delivers the high differential pressures and capacities you need.

Pump Models

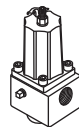
MODEL	CAPACITY	MAX DIFF
FF060	22 GPM	150 PSIG
FF075	40 GPM	200 PSIG
FF150	58 GPM	250 PSIG



FF060 Pump With Motor



FF060



B166 Bypass

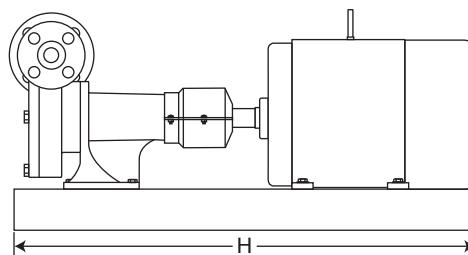
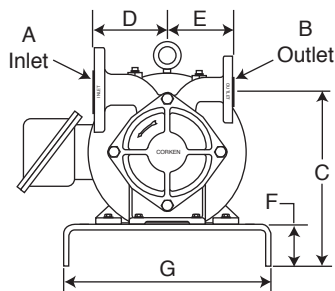


Variable Frequency Drive

Packaged Pumpsets - Pump, Motor & Bypass

Model	Electric Service	Pump	Motor	Bypass	*Includes
HDPFF060-3P53	3 Phase	FF060	5 HP 3 ph. 60 Hz	B166 1" 100-225#	-----
HDPFF060-1P53	1 Phase	FF060	5 HP 3 ph. 60 Hz		VFD
HDPFF075-3P75	3 Phase	FF075	7.5 HP 3 ph. 60 Hz		-----
HDPFF075-1P75	1 Phase	FF075	7.5 HP 3 ph. 60 Hz		VFD
HDPFF150-3P10	3 Phase	FF150	10 HP 3 ph. 60 Hz		-----
HDPFF150-1P10	1 Phase	FF150	10 HP 3 ph. 60 Hz		VFD

* VFD = Variable Frequency Drive allowing 3 phase motors on single phase service.



Outline Dimensions

A	1-1/2"
B	1"
C	12-3/4"
D	5-11/32"
E	4-13/16"
F	3"
G	1-1/2"
H	34"

881 HERSEY STREET ST. PAUL, MN 55114

**PHONE (651) 646-1177
FAX (651) 646-1676**



**IN MINNESOTA 1-800-652-9072
OUT-OF-STATE 1-800-328-9222**

Autogas Pump Tank Manifold

The graphic shows a typical piping arrangement feeding an autogas pressurizing pump.

The autogas pumps are designed to provide a higher differential pressure for the auto fueling markets.

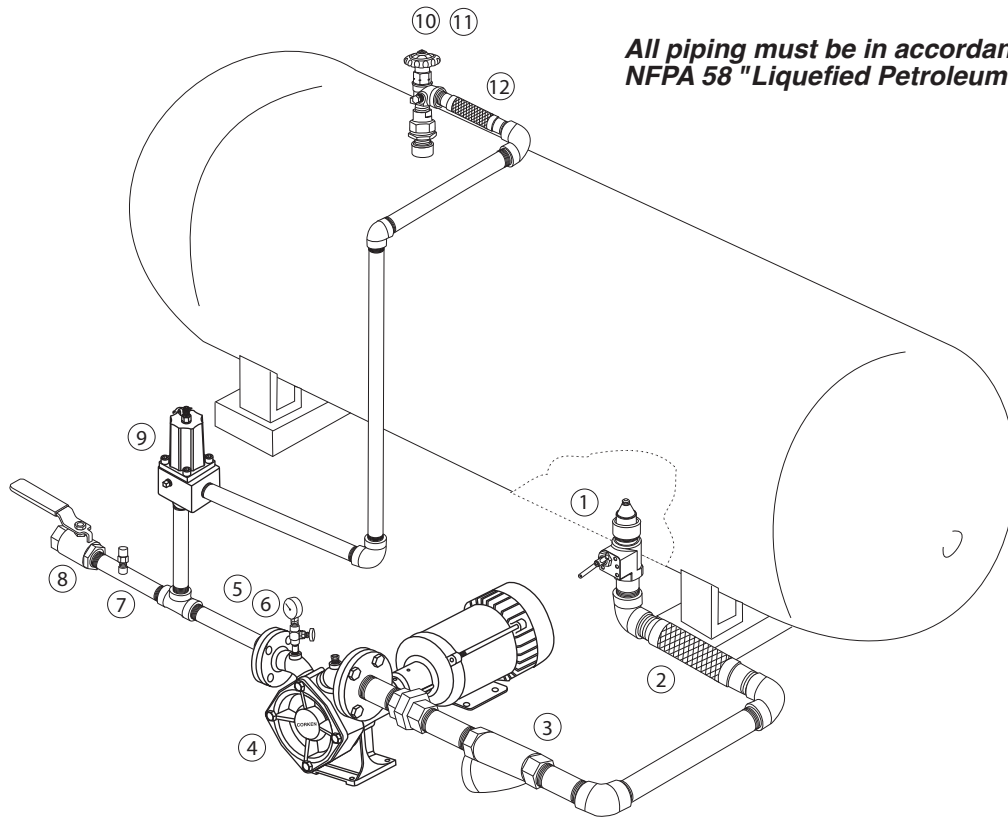
These are especially well suited for filling the difficult liquid fuel injection motor fuel tanks.

Piping Components

<u>KEY</u>	<u>DESCRIPTION</u>	<u>KEY</u>	<u>DESCRIPTION</u>
1	1-1/4" Internal Valve	7	Hydrostatic Relief
2	1-1/4" Flex Connector	8	Ball Valve
3	Strainer	9	Bypass Valve
4	Pump & Motor	10	ChekLok Adapter
5	Gauge Valve	11	Liquid Shutoff Valve
6	Pressure Gauge	12	3/4" Flex Connector

Pump Models

<u>MODEL</u>	<u>CAPACITY</u>	<u>MAX DIFF</u>
FF060	22 GPM	150 PSIG
FF075	40 GPM	200 PSIG
FF150	58 GPM	250 PSIG



All piping must be in accordance with NFPA 58 "Liquefied Petroleum Gas Code"

881 HERSEY STREET ST. PAUL, MN 55114

**PHONE (651) 646-1177
FAX (651) 646-1676**



**IN MINNESOTA 1-800-652-9072
OUT-OF-STATE 1-800-328-9222**